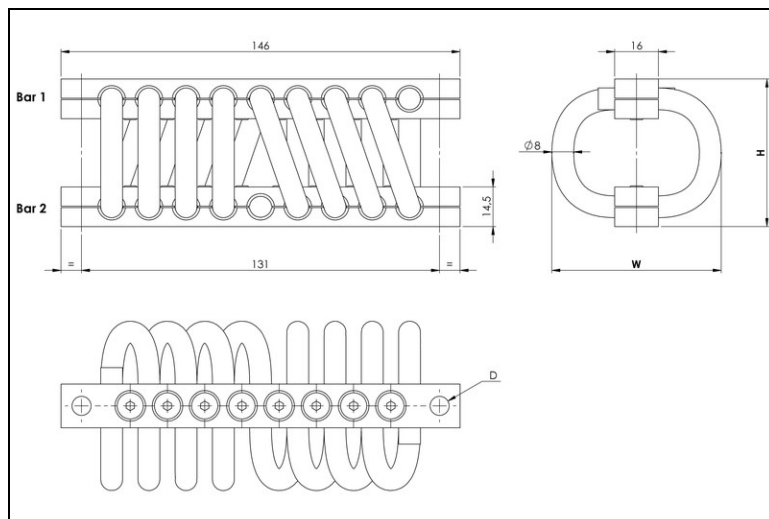


# WIRE ROPE ISOLATORS: 'HELICAL'

DEFINITION  
**series CB1290**



- All metal multidirectional anti-vibration/shock mounts
- Exceptional reliability and long life
- High damping
- No aging
- Corrosion resistant
- Unequalled temperature range : -180°C to +300°C / -290F to 570 F
- Great adaptability/versatility

Specials on request

(material size and number of loops, etc.)

Dimensions are in millimeters. For reference only

SERIES
Materials and finishes (meets RoHS requirements)
<b>CB1290</b>
<b>Cable:</b> stainless steel galvanized available: CB
<b>Retainer bars:</b> aluminium alloy/ SurTec
<b>Screws:</b> alloy steel/ zinc plate
<b>Inserts:</b> stainless steel
All stainless steel: CBSS
Other materials on request

MODEL			
	height H (mm)	width W (mm)	weight (kg)
-10	48	59	0,44
-20	54	66	0,49
-25	59	74	0,53
-30	63	83	0,57
-35	63	92	0,60
-38	67	98	0,63
-40	67	103	0,64
-50	82	111	0,72
-60	98	130	0,83

INTERFACES			
fixtures holes D	Bar 1		
	2 through holes Ø7mm	2 through holes Ø7mm counter-sunk 90°	2 inserts M6
Bar 2			
2 through holes Ø7mm	no suffix	not standard	not standard
2 through holes Ø7mm counter-sunk 90°	CM	CM2	not standard
2 inserts M6	IM	CIM	IM2

C B 1 2 9 0 - 1 0 C I M

SERIE: CB1290

'Helical' mount from the CB1290 series

MODEL: -10

height: 48mm

width: 59mm

weight: 0,44kg

loops: serie

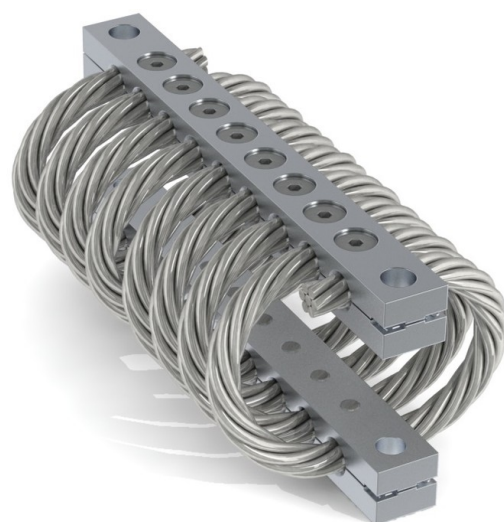
standard is 08 loops

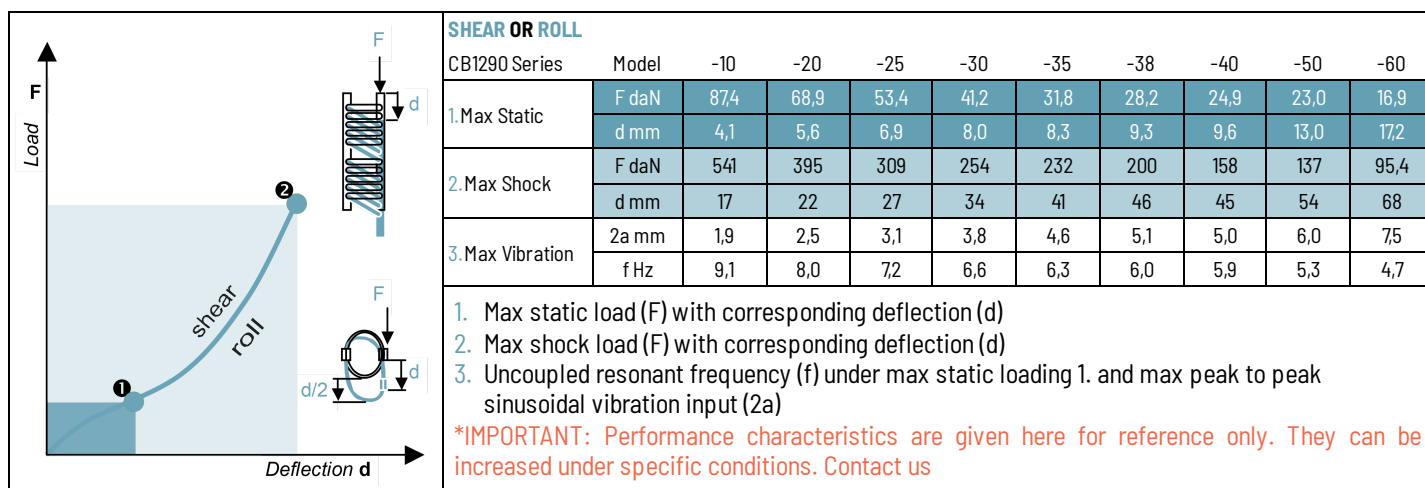
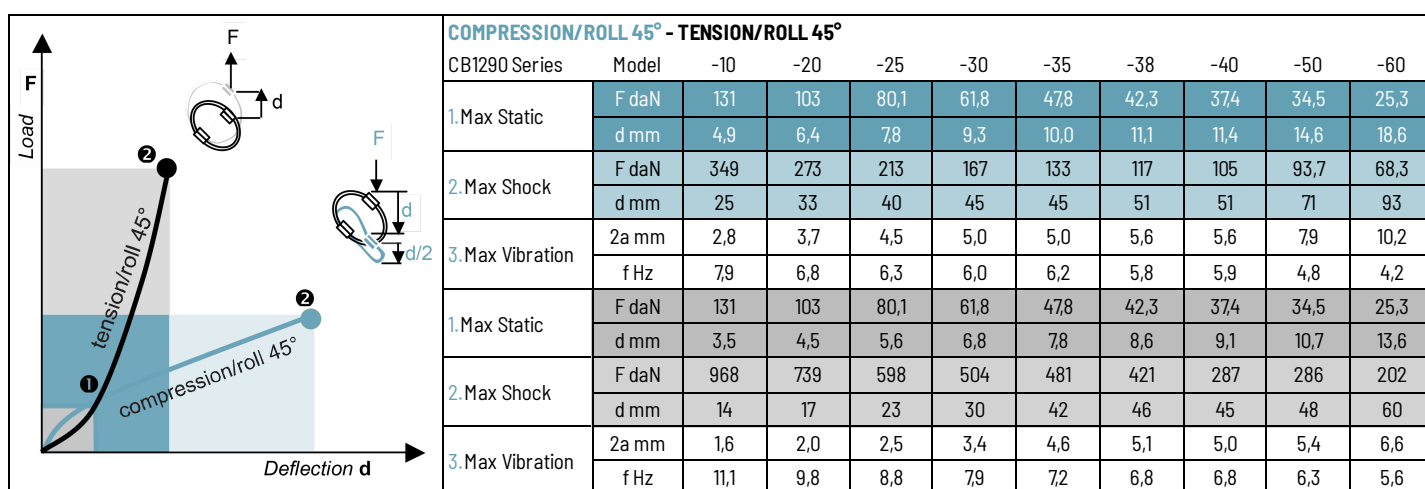
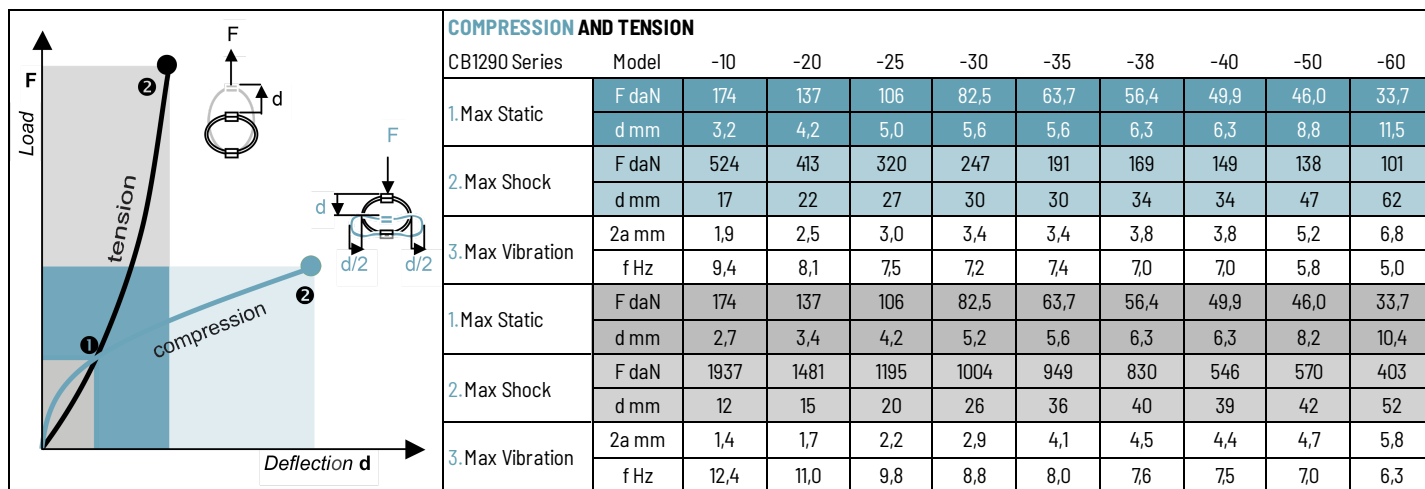
INTERFACE: CIM

2 through holes Ø7mm

counter-sunk 90° in bar 1,

2 inserts M6 in bar 2





## TYPICAL SHOCK/VIBRATION SPECIFICATIONS:

- Air** AIR 7306, MIL-E-5400, MIL-C-172, MIL-STD-810
- Ground Forces** GAM EG13A, SEFT 001, MIL-STD-810, VG 9533
- Marine** GAM EG13C, IT25-21/96-31/15-86, MIL-S-167, MIL-S-901, STANAG 042, BV 043.73, BV 044
- Others** GAM EMB1, GAM EMBT4, DEF STAN 07-55, IEC 571, FINABEL 2C